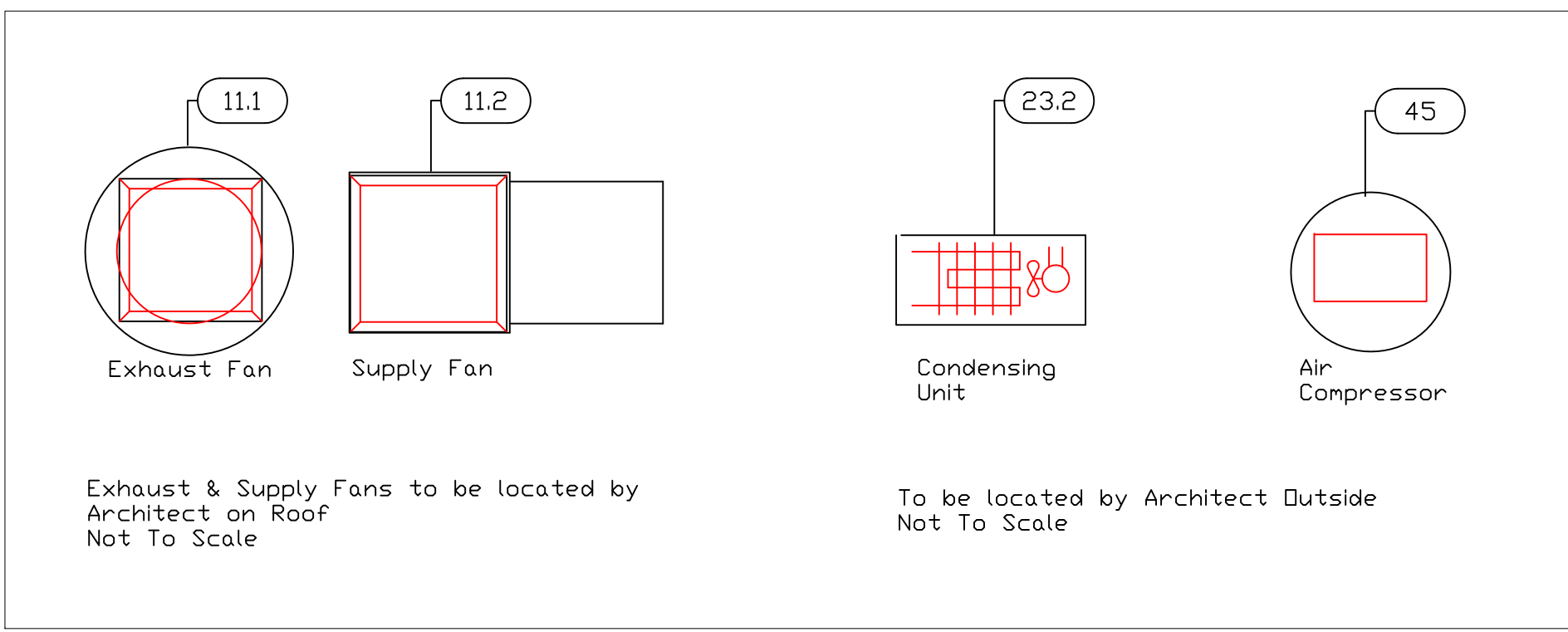


EQUIPMENT SCHEDULE					
ItemNo	Category	Mfr	Model	Quantity	Equipment Remarks
1	COUNTERTOP HOTPLATE	SOUTHBEND	HDO-36	1	
2	CONVECTION OVEN	SOUTHBEND	BGS/12SC	1	
3	THREE (3) COMPARTMENT SINK	EMJAC	FC-3-1724-24L	1	
3.1	WALL / SPLASH MOUNT FAUCET	KROWNE	14-812L	1	
4	REACH-IN REFRIGERATOR	CONTINENTAL REFRIG	2RSES	1	
5	REACH-IN FREEZER	CONTINENTAL REFRIG	1FS	1	
6	KETTLE, ELECTRIC, COUNTERTOP	GROEN	TDB-20	1	FUTURE
6.1	WORK TABLE	ADVANCE TABCO	MS-303	1	NOT IN DRAWING
7	HAND MIXER	DYNAMIC USA	MX013.1-115V	1	NOT IN DRAWING
8	DISHWASHER, UNDERCOUNTER	JACKSON WWS	AVENGER HT-E	1	
9	WORK TABLE WITH SINK	ADVANCE TABCO	KMS-307	1	
9.1	DECK MOUNT FAUCET	KROWNE	15-308L	1	
10	HAND SINK	ADVANCE TABCO	7-PS-66	2	
10.1	WALL / SPLASH MOUNT FAUCET	KROWNE	14-401L	2	
11	HOOD	CAPTIVE-AIRE	HOOD	1	
11.1	EXHAUST FAN	CAPTIVE-AIRE	RMF1122CA	1	
11.2	SUPPLY FAN	CAPTIVE-AIRE	INLINE1L-G10	1	
12	MOP SINK CABINET	ADVANCE TABCO	9-OPC-84DL	1	
12.1	SERVICE FAUCET	KROWNE	16-127	1	
13	WORK TABLE WITH DOUBLE SINK	ADVANCE TABCO	KMS-306	1	
13.1	DECK MOUNT FAUCET	KROWNE	15-308L	1	
14	WIRE SHELVING UNIT	NEXEL	18546N	1	
15	PLANETARY MIXER	GLOBE	SP20	1	
16	WIRE SHELVING UNIT	NEXEL	18606N	1	
23	WALK-IN COOLER	ARCTIC INDUSTRIES	WALK-IN	1	
23.1	EVAPORATOR	ARCTIC INDUSTRIES	LSC070AEWMC6K	1	
23.2	CONDENSING UNIT	ARCTIC INDUSTRIES	CHT008X6BFM	1	
24	WIRE SHELVING UNIT	NEXEL	18426N	1	
26	THREE (3) COMPARTMENT SINK	ADVANCE TABCO	FC-3-1824-18RL	1	
26.1	WALL / SPLASH MOUNT FAUCET	KROWNE	14-812L	1	
27	WORK TABLE	ADVANCE TABCO	MS-244	1	
30	PASTEURIZER	CUSTOM	PASTEURIZER	1	BY OWNER
31	FILLER	CUSTOM	FILLER	1	BY OWNER
32	HANGING CART	EMJAC	CART	2	
41	REFRIGERATED SELF-SERVICE UNDER COUNTER HEIGHT CASE	STRUCTURAL CONCEPTS	CO4324R-UC	1	
42	ESPRESSO CAPPUCCINO MACHINE	NUOVA SIMONELLI	APP1A 2GR SEMI	1	BY OWNER
43	REFRIGERATED DISPLAY CASE	BEVERAGE AIR	CR5-1W-G	1	FUTURE
44	REFRIGERATED MERCHANDISER	BEVERAGE AIR	LV23-1-W-LED	1	FUTURE
45	AIR COMPRESSOR	HUSKY	C602H	1	
46	HOT / COLD WATER DISPENSER	NATURAL CHOICE	904	1	
47	ICE CUBER WITH BIN	HOSHIZAKI	F-330BAH-C	1	



## EQUIPMENT LAYOUT

All Dimensions to be verified on the job site. Actual locations for floor drains, and any ventilating equipment to be determined by Engineer. Mechanical, Plumbing & Electrical to be checked and verified by Customers MEP Engineer. Remote Condensing Units to be located by Architect. Exhaust & Supply fans to be located by Architect.

**Urban Micordairy**  
**Kitchen & Yogurt Room**  
 Plantation, Florida

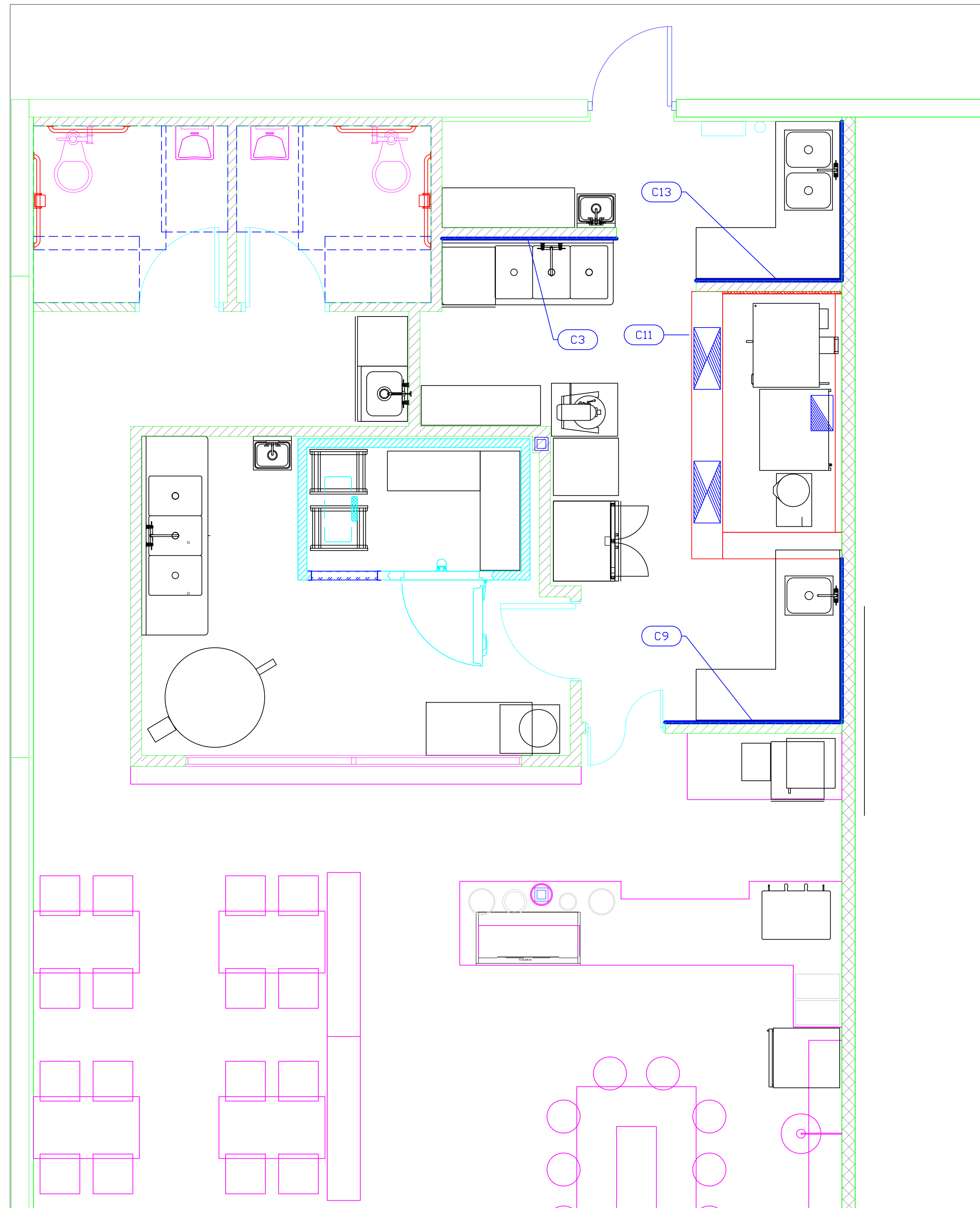
**Uni-Source Supply**  
 International Inc.  
 2055 W 73rd Street, Miami, FL 33016  
 Ph: (305)826-8696 Fax: (305)826-9131

4	Update after conference call with Owner and Arch.	12-10-15
5	Updated background	12-12-15
6	Completed Equipment Service Requirement Drawings	12-15-15
7	Added compressor, ice machine, water dispenser	12-16-15
No.	Revision/Issue	Date

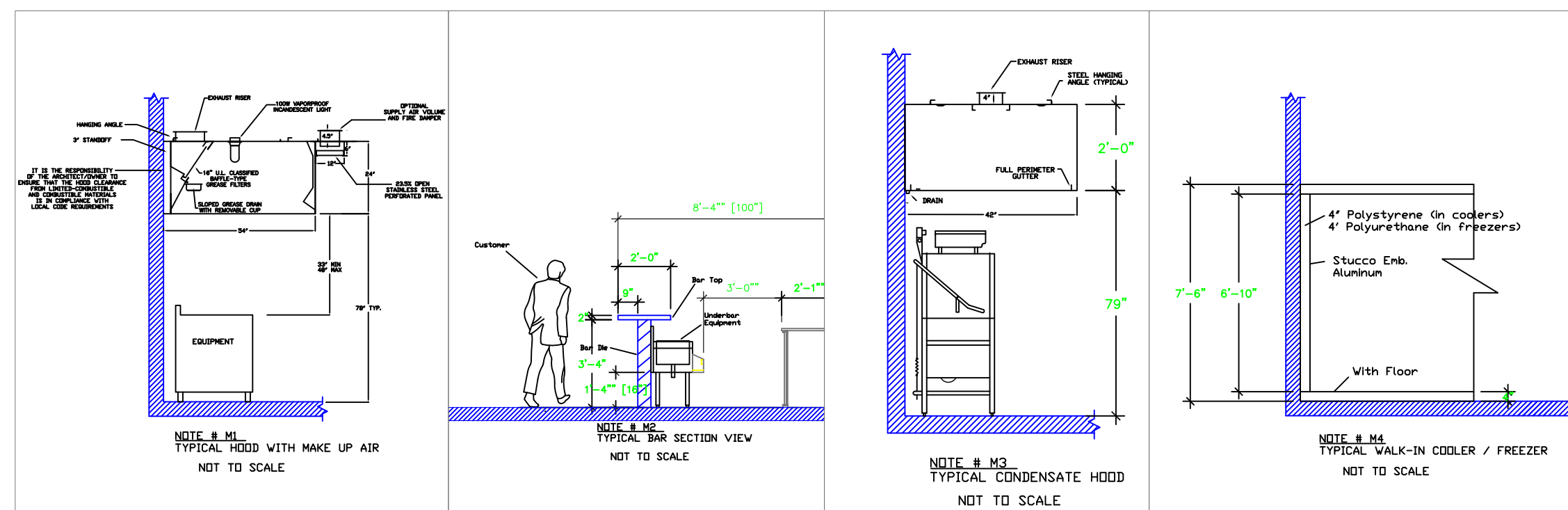
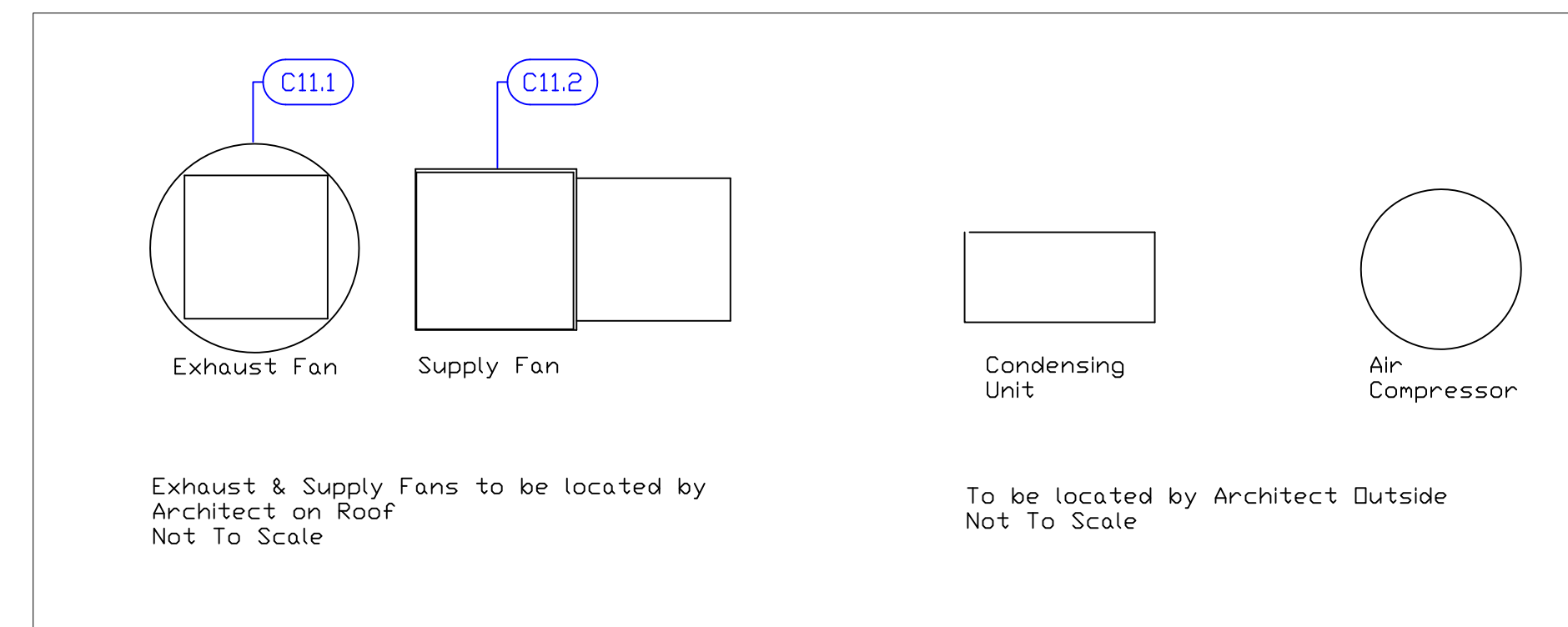
Date  
**Dec 16, 2015**  
 Drawn By  
**Dayne Gauntlett**  
 Scale  
**3/8" = 1'0"**

Sheet  
**YK-1**

**Urban Micordairy  
Kitchen & Yogurt Room  
Plantation, Florida**



Mechanical Schedule							
Item No.	Description	Exhaust (L x W)	Exhaust (CFM)	Supply (L x W)	Makeup (CFM)	QTY	Ventilation Remarks
3	THREE (3) COMPARTMENT SINK					1	INWALL BACKING FOR WALL SHELVES
9	WORK TABLE WITH SINK					1	INWALL BACKING FOR WALL SHELVES
11	HOOD	10"X16"		(2) 12"X28"		1	
11.1	EXHAUST FAN	16-5/8" DIA	1710			1	
11.2	SUPPLY FAN			11-1/2"X13-1/4"	1539	1	
13	WORK TABLE WITH DOUBLE SINK					1	INWALL BACKING FOR WALL SHELVES



**LEGEND — MECHANICAL**

- EXHAUST DUCT COLLAR
- SUPPLY DUCT COLLAR
- INWALL BACKING FOR WALL SHELVES
- RECESSED FLOOR
- RAISED EQUIPMENT PAD

**NOTE # M5**  
ALL NATIONAL, STATE, AND LOCAL CODES SHALL APPLY

**NOTE # M6**  
ARCHITECT OR ENGINEER TO SIZE AND LOCATE, CONTRACTOR TO PROVIDE ALL OPENINGS FOR DUCTS, PLUMBING LINES, ELECTRICAL LINES, AND REFRIGERATION LINES, AS REQUIRED BY EQUIPMENT.

**NOTE # M7**  
SUPPLY FANS TO BE LOCATED A MINIMUM OF 10' FROM EXHAUST FANS.

**NOTE # M8**  
SHOP DRAWING WILL BE PROVIDED BY MANUFACTURER FOR HOOD, EXHAUST FANS, & SUPPLY FANS, UNCE ORDER IS PLACE WITH.

**NOTE # M9**  
GENERAL CONTRACTOR TO PROVIDE 2" PLYWOOD WALL BACKING FROM 48" TO 78" AFF FOR ALL WALL MOUNTED EQUIPMENT.

**NOTE # M10**  
CEILING HEIGHTS TO BE VERIFIED FOR SUFFICIENT CLARENCE FOR EQUIPMENT.

**NOTE # M11**  
REFRIGERATION CONTRACTOR TO HANG EVAPORATORS FOR WALK-IN, RUN & CHARGE LINES BETWEEN EVAP. & CONDENSING UNIT.

**Equipment  
MECHANICAL  
Service Requirements**

All Dimensions to be verified on the job site. Actual locations for floor drains, and any ventilating equipment to be determined by Engineer. Mechanical, Plumbing & Electrical to be checked and verified by Customers MEP Engineer. Remote Condensing Units to be located by Architect. Exhaust & Supply Fans to be located by Architect.

**Uni-Source Supply**  
International Inc.  
2055 W 73rd Street, Miami, FL 33016  
Ph: (305)826-8696 Fax: (305)826-9131

No.	Revision/Issue	Date
4	Update after conference call with Owner and Arch.	12-10-15
5	Updated background	12-12-15
6	Completed Equipment Service Requirement Drawings	12-15-15
7	Added compressor, ice machine, water dispenser	12-16-15

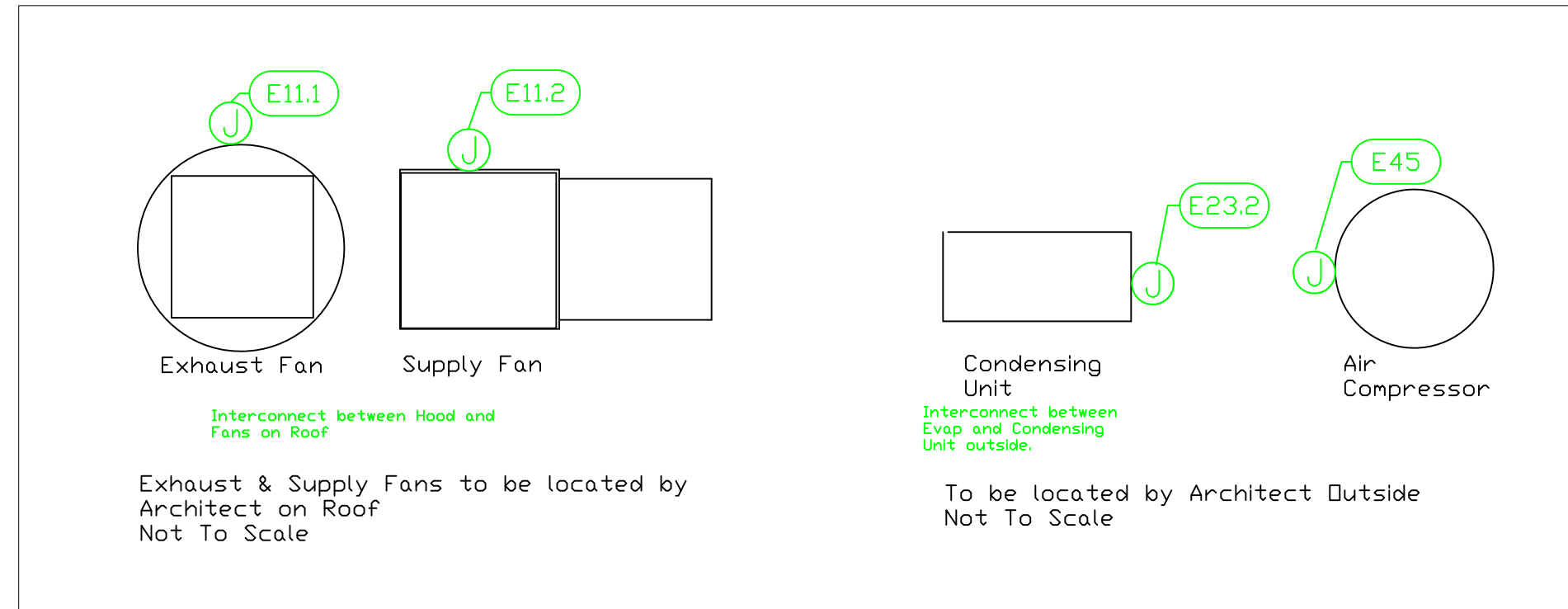
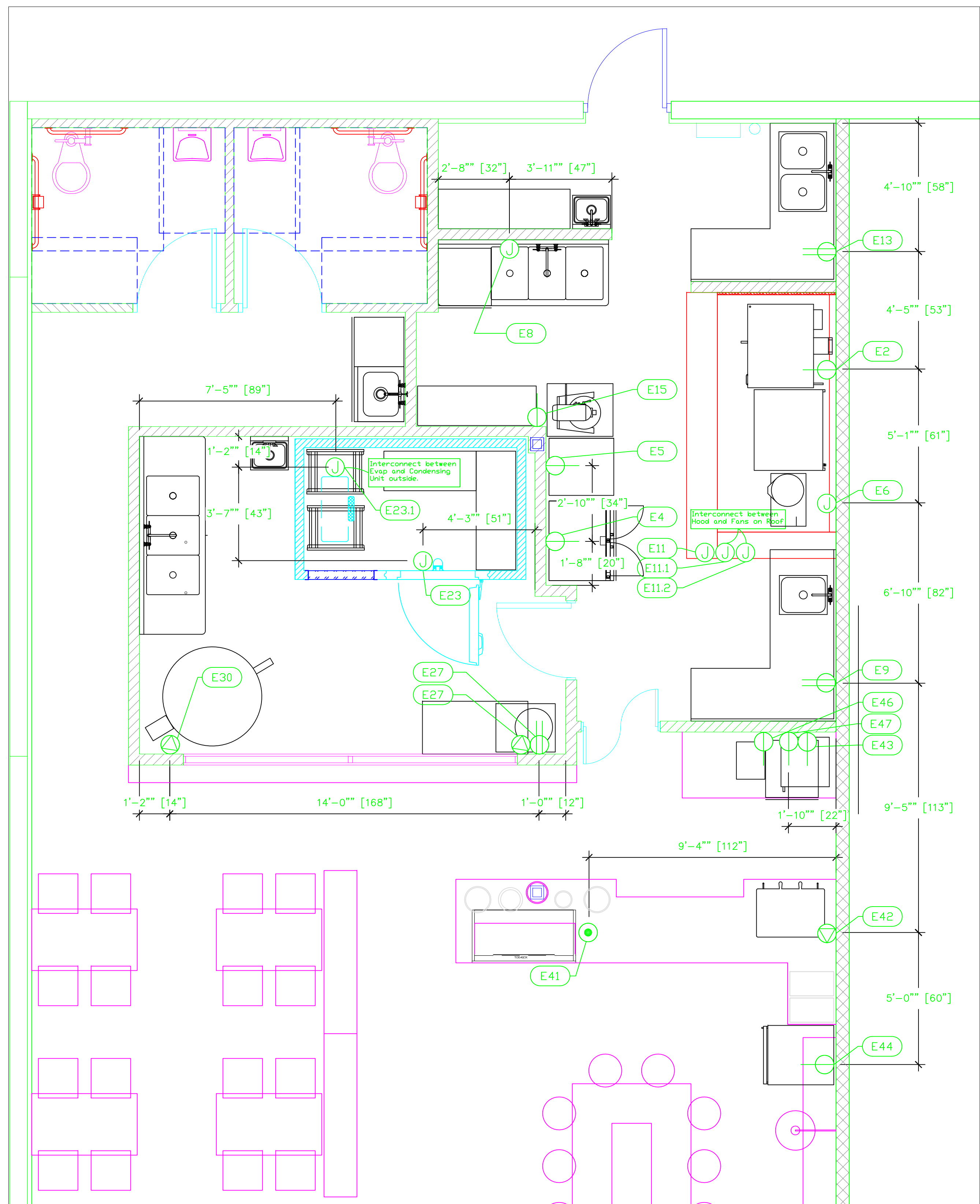
Date  
**Dec 16, 2015**  
Drawn By  
**Dayne Gauntlett**  
Scale  
**3/8" = 1'0"**

Sheet  
**YK-2**

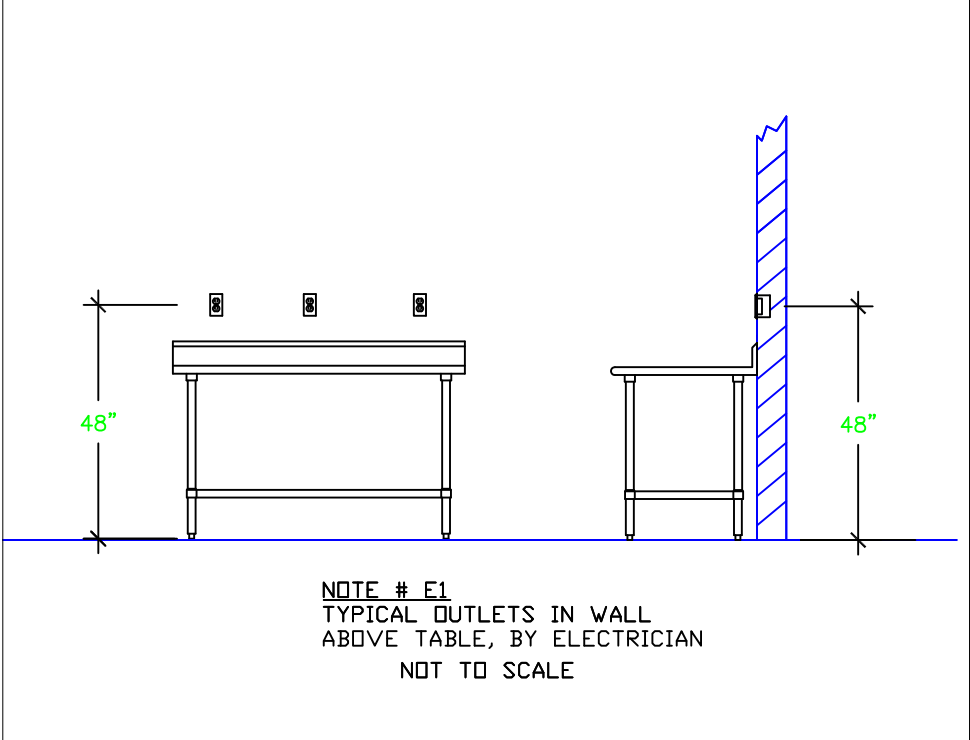


**Urban Micordairy**  
**Kitchen & Yogurt Room**  
 Plantation, Florida

ITEM No.	DESCRIPTION	VOLTS	CYCLE	PHASE	AMPS	HP	NEMA	EQUIP. AFF	CONNECTION	ROUGH-IN AFF	QTY	ELECTRICAL REMARKS
2	CONVECTION OVEN	120	60	1	7.9	1/2		34"	SIMPLEX	48"	1	
4	REACH-IN REFRIGERATOR	115	60	1	6.7		5-15P	80"	SIMPLEX	76"	1	
5	REACH-IN FREEZER	115	60	1	7.6		5-15P	80"	SIMPLEX	76"	1	
6	KETTLE, ELECTRIC, COUNTERTOP	208	60	1	31			22"	J-BOX	18"	1	FUTURE
8	DISHWASHER, UNDERCOUNTER	208	60	1	33.8	3/4		12"	J-BOX	18"	1	PIGTAIL BY ELECTRICIAN
9	WORK TABLE WITH SINK	115	60	1	15			48"	DUPLEX	48"	1	CONVENIENCE OUTLET SEE NOTE E1
11	HOOD	115	60	1	15			108"	J-BOX	108"	1	ELEC. FOR LIGHTS IN HOOD
11.1	EXHAUST FAN	208	60	1	10.2	1-1/2		ROOF	J-BOX	108"	1	ELEC. AT HOOD CONTROL BOX
11.2	SUPPLY FAN	208	60	1	6	3/4		ROOF	J-BOX	108"	1	ELEC. AT HOOD CONTROL BOX
13	WORK TABLE WITH DOUBLE SINK	115	60	1	15			48"	DUPLEX	48"	1	CONVENIENCE OUTLET SEE NOTE E1
15	PLANETARY MIXER	115	60	1	6	1/2	5-15P	48"	SIMPLEX	24"	1	
23	WALK-IN COOLER	115	60	1	15			98"	J-BOX	CEILING	1	ELEC FOR LIGHTS IN WALK-IN
23.1	EVAPORATOR	115	60	1	1.8			72"	J-BOX	CEILING	1	INTERCONNECT WITH CONDENSING UNIT
23.2	CONDENSING UNIT	208	60	1	15	3/4		12"	J-BOX	18"	1	LOCATION BY ARCHITECT
27	WORK TABLE	115	60	1	15			48"	DUPLEX	48"	1	CONVENIENCE OUTLET SEE NOTE E1
30	PASTEURIZER	220	60	1	20			18"	SPECIAL	18"	1	220V 4 WIRE
31	FILLER	220	60	1	15			18"	SPECIAL	18"	1	CONFIRM ELEC. WITH OWNER
41	REFRIGERATED SELF-SERVICE UNDER COUNTER HEIGHT CASE	115	60	1	12		5-15P	5"	FLOOR	FLOOR	1	CONFIRM LOCATION WITH MILLWORK
42	ESPRESSO CAPPUCCINO MACHINE	220	60	1	14			42"	SPECIAL	18"	1	CONFIRM ELEC. WITH OWNER
43	REFRIGERATED DISPLAY CASE	115	60	1	5.9	1/4	6-20P	48"	SIMPLEX	18"	1	FUTURE
44	REFRIGERATED MERCHANDISER	115	60	1	5.8	1/3		18"	SIMPLEX	18"	1	FUTURE
45	AIR COMPRESSOR	230	60	1	15			72"	J-BOX	72"	1	CONFIRM ELEC. WITH OWNER
46	HOT/COLD WATER DISPENSER	120	60	1	15			48"	SIMPLEX	18"	1	
47	ICE CUBER WITH BIN	115	60	1	7.4			12"	SIMPLEX	18"	1	



- LEGEND - ELECTRICAL CONNECTIONS**
- DUPLEX RECEPT., 15-AMP, 120-VOLT, GROUND TYPE, HORIZONTAL MOUNT
  - SIMPLEX RECEPT., 120-VOLT, GROUND TYPE, HORIZONTAL MOUNT
  - SPECIAL PURPOSE OUTLET, GROUND TYPE, HORIZONTAL MOUNT
  - JUNCTION BOX, DIRECT CONNECTION
  - DISCONNECT SWITCH, DIRECT CONNECTION
  - FLOOR/CEILING RECEPTACLE AS INDICATED
  - (2) Telephone + (2) Data
  - FIELD CONNECTIONS
  - HARD WIRE CONNECTION POINT AT MACHINE



**NOTE # E2**  
 ALL NATIONAL, STATE, AND LOCAL CODES SHALL APPLY

**NOTE # E3**  
 ALL ELECTRICAL CONNECTIONS AND HARDWARE REQUIRED TO BE PROVIDED BY ELECTRICIAN CONTRACTOR

**NOTE # E4**  
 ALL JUNCTION BOXES, OUTLETS, ETC. TO BE LOCATED SO AS TO NOT INTERFERE WITH EQUIPMENT

**NOTE # E5**  
 ALL RELAYS, CONTRACTORS, STARTERS, AND SWITCHES REQUIRED FOR EXHAUST & SUPPLY FANS TO BE PROVIDED BY ELECTRICAL CONTRACTOR UNLESS SPECIFIED

**NOTE # E6**  
 ELECTRICAL CONTRACTOR TO INTERCONNECT DISHMACHINE TO EXHAUST FAN FOR DISHMACHINE SO THAT THE FAN RUNS WHEN THE DISHMACHINE IS IN OPERATION.

**NOTE # E7**  
 ELECTRICAL CONTRACTOR TO INSTALL TABLE LIMIT SWITCH TO END OF CLEAN DISHTABLE TO THAT MACHINE STOPS WHEN SWITCH IS DEPRESSED.

**NOTE # E8**  
 ELECTRICAL CONTRACTOR TO CONNECT DRAIN LINE HEATER, PAN HEATER AND DDOR HEATER FOR WALK-IN FREEZER.

**Equipment ELECTRICAL Service Requirements**

All Dimensions to be verified on the job site. Actual locations for floor drains, and any ventilating equipment to be determined by Engineer. Mechanical, Plumbing & Electrical to be checked and verified by Customers MEP Engineer. Remote Condensing Units to be located by Architect. Exhaust & Supply fans to be located by Architect.

**Uni-Source Supply**  
 International Inc.  
 2055 W 73rd Street, Miami, FL 33016  
 Ph: (305)826-8696 Fax: (305)826-9131

4	Update after conference call with Owner and Arch.	12-10-15
5	Updated background	12-12-15
6	Completed Equipment Service Requirement Drawings	12-15-15
7	Added compressor, ice machine, water dispenser	12-16-15
No.	Revision/Issue	Date

Date  
 Dec 16, 2015  
 Drawn By  
 Dayne Gauntlett  
 Scale  
 3/8" = 1'0"

Sheet  
**YK-3**

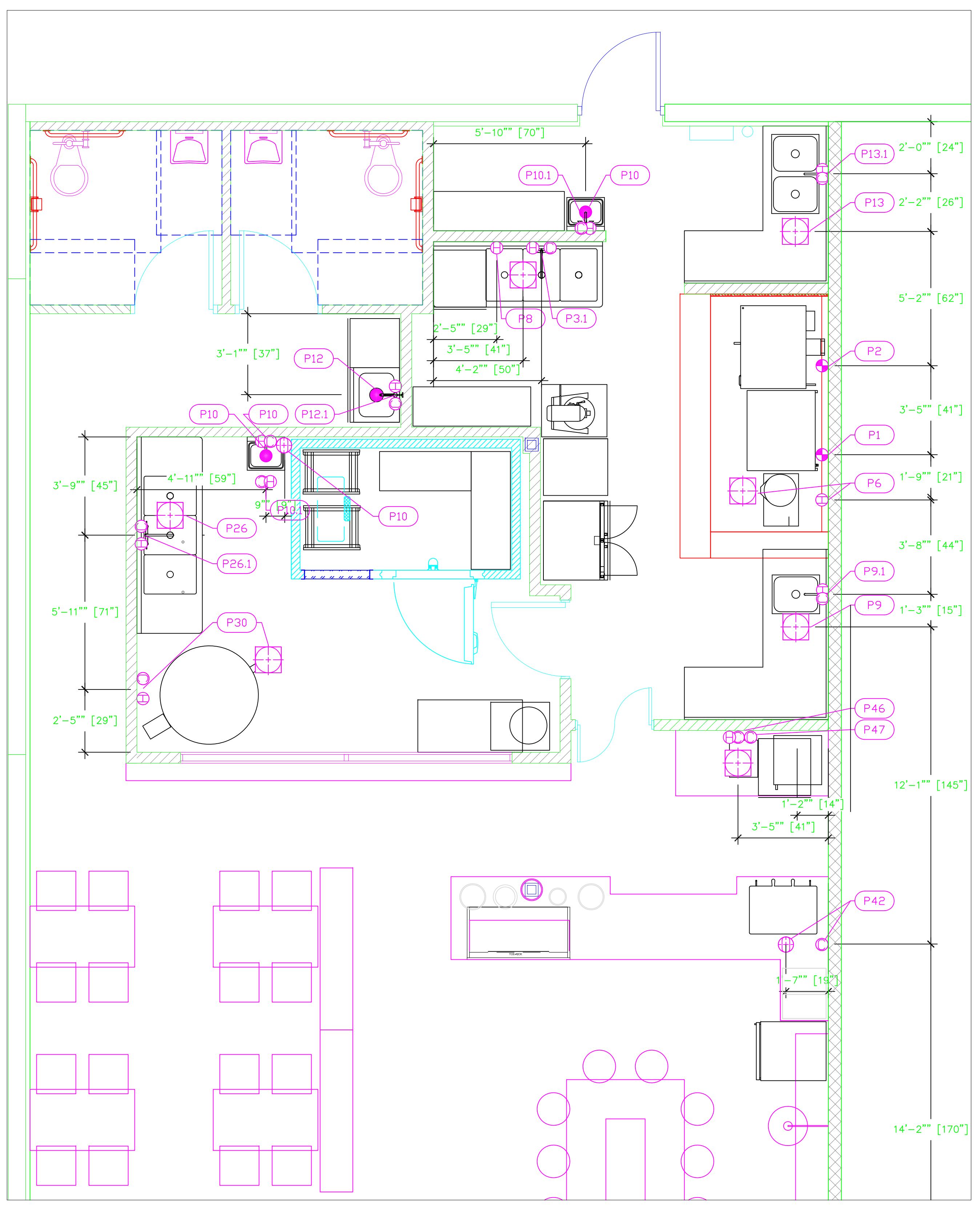
**Urban Micordairy  
Kitchen & Yogurt Room  
Plantation, Florida**

**Uni-Source Supply**  
International Inc.  
2055 W 73rd Street, Miami, FL 33016  
Ph: (305)826-8696 Fax: (305)826-9131

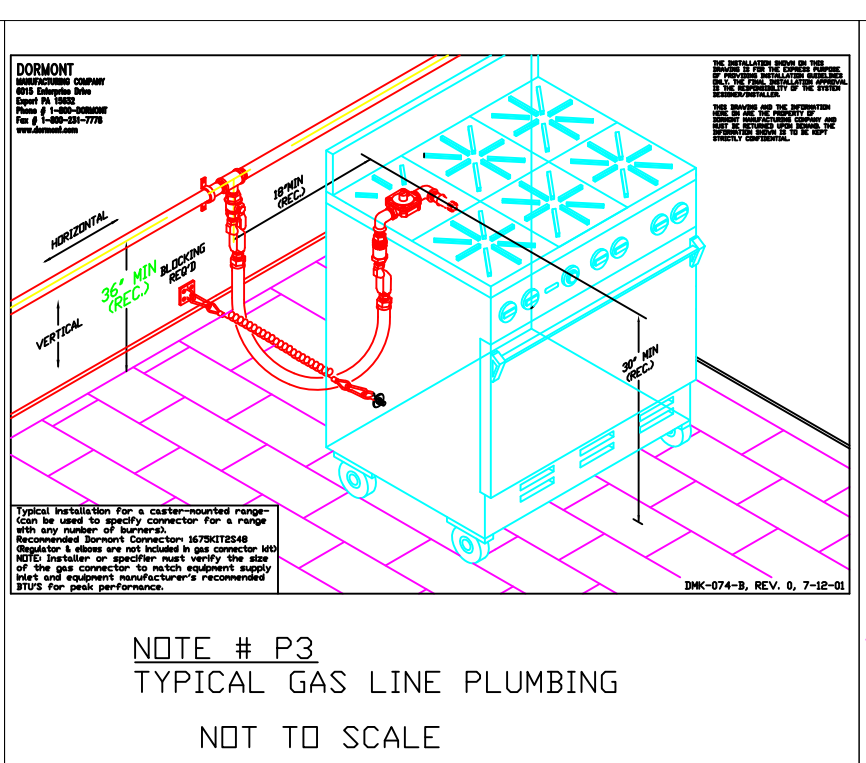
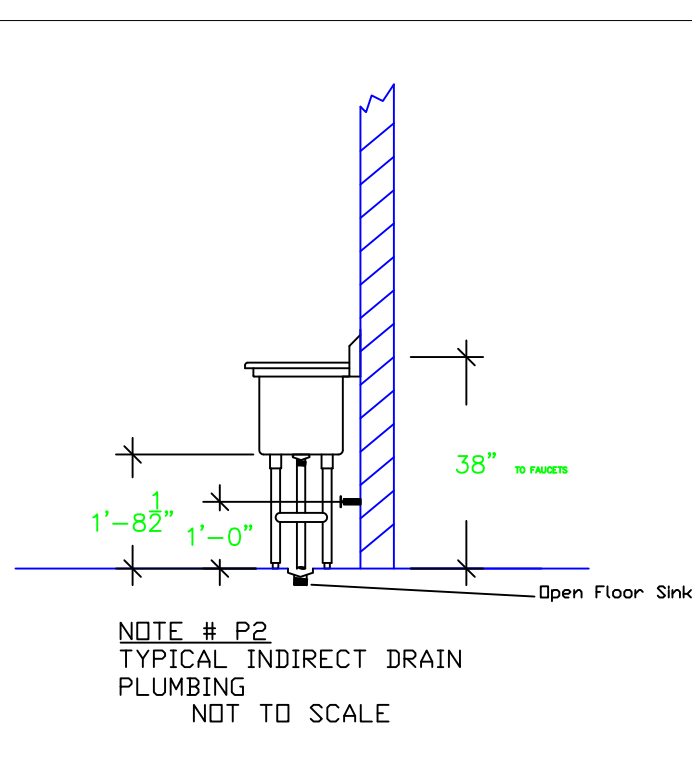
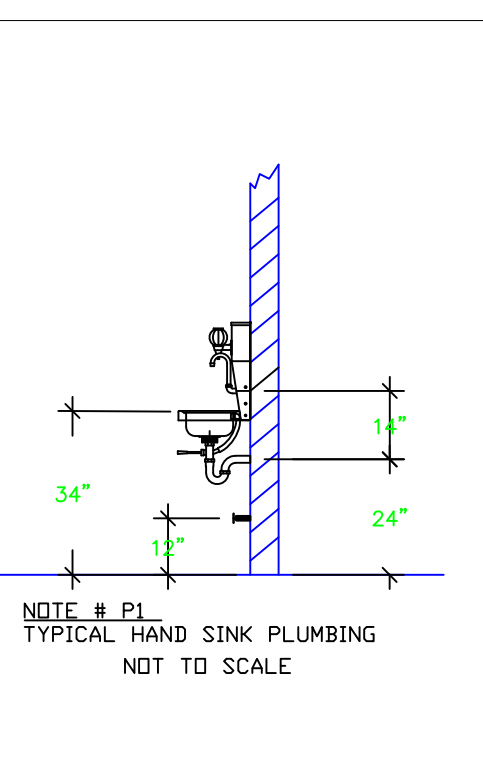
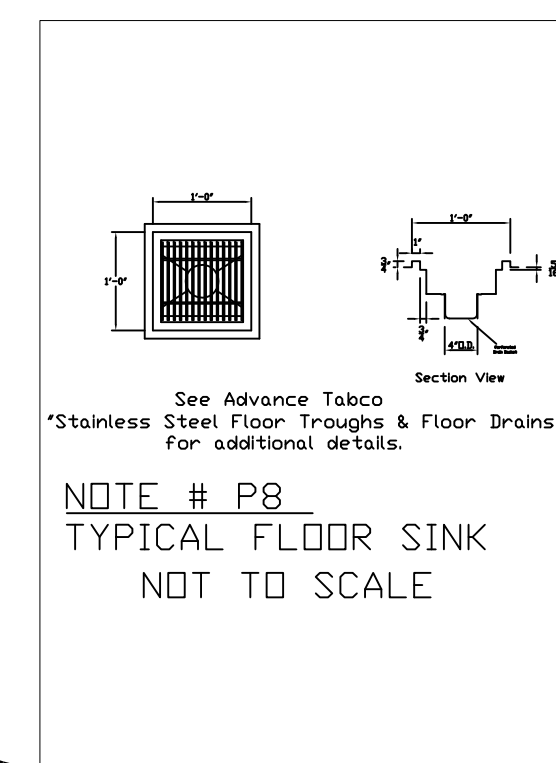
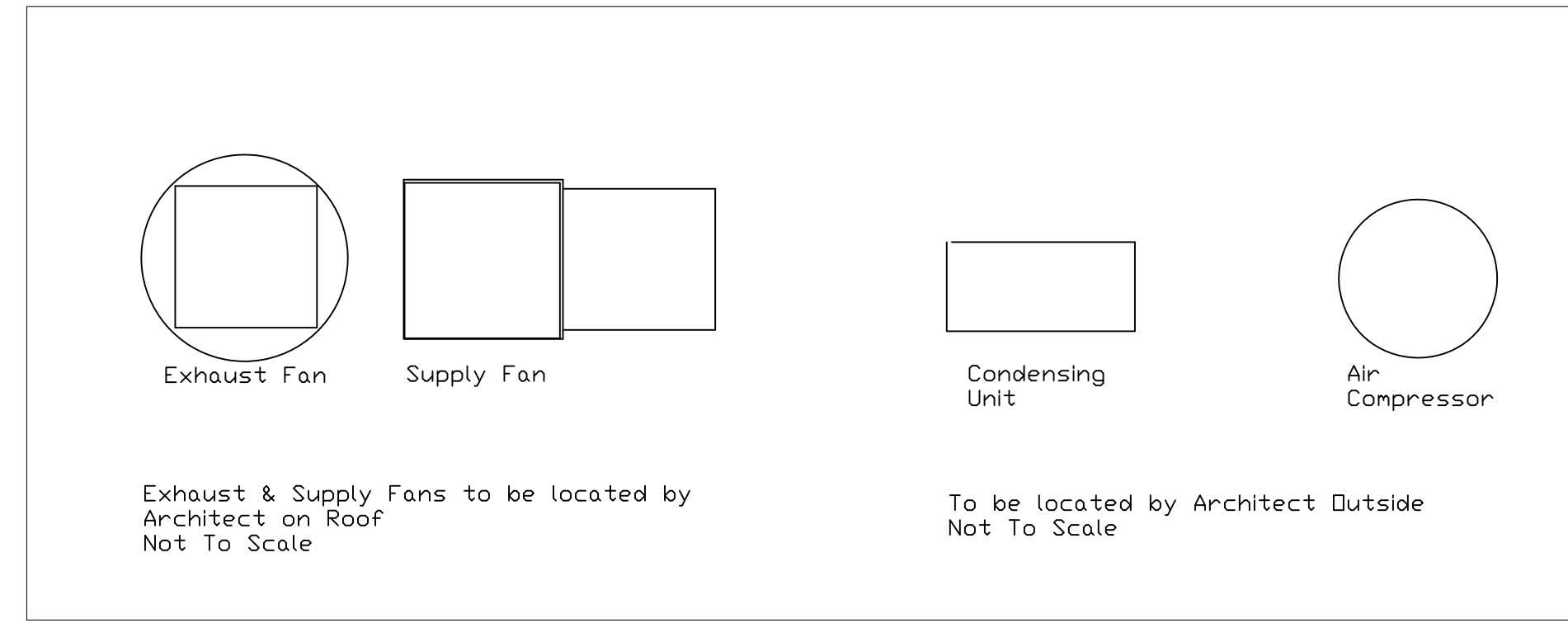
4	Update after conference call with Owner and Arch.	12-10-15
5	Updated background	12-12-15
6	Completed Equipment Service Requirement Drawings	12-15-15
7	Added compressor, ice machine, water dispenser	12-16-15
No.	Revision/Issue	Date

Date  
**Dec 16, 2015**  
Drawn By  
**Dayne Gauntlett**  
Scale  
**3/8" = 1'0"**

Sheet  
**YK-4**



PLUMBING SCHEDULE														
ITEM No.	DESCRIPTION	Cold Water Size	Cold Water AFF	Hot Water Size	Hot Water AFF	H&C Rough-in	Direct Waste Size	Direct Waste AFF	Indirect Waste Size	Gas Size (in)	Gas Conn. AFF	Gas MBTU	QTY	Plumbing Remarks
1	COUNTERTOP HOTPLATE									3/4"	26"	198.0	1	SEE NOTE P3
2	CONVECTION OVEN									3/4"	28"	54.0	1	SEE NOTE P3
3	THREE (3) COMPARTMENT SINK								(3) 1-1/2"				1	WASTE TO FLOOR SINK
3.1	WALL / SPLASH MOUNT FAUCET	1/2"	36"	1/2"	36"	12"							1	
6	KETTLE, ELECTRIC, COUNTERTOP STAND			1/2"	16"	12"							1	FUTURE
8	DISHWASHER, UNDERCOUNTER			1/2"	2-1/2"	12"			1-3/8"				1	WASTE TO FLOOR SINK
9	WORK TABLE WITH SINK								1-1/2"				1	WASTE TO FLOOR SINK
9.1	DECK MOUNT FAUCET	1/2"	36"	1/2"	36"	12"							1	
10	HAND SINK						1-1/2"	24"					2	SEE NOTE P1
10.1	WALL / SPLASH MOUNT FAUCET	1/2"	38"	1/2"	38"	12"							2	SEE NOTE P1
12	MOP SINK CABINET						2"	2-3/4"					1	SEE SPEC SHEET FOR DETAILS
12.1	SERVICE FAUCET	1/2"	36"	1/2"	36"	36"							1	
13	WORK TABLE WITH DOUBLE SINK								(2) 1-1/2"				1	WASTE TO FLOOR SINK
13.1	DECK MOUNT FAUCET	1/2"	36"	1/2"	36"	12"							1	
23.1	EVAPORATOR								1"				1	CONDENSATE DRAIN TO FLOOR DRAIN
26	THREE (3) COMPARTMENT SINK								(3) 1-1/2"				1	WASTE TO FLOOR SINK
26.1	WALL / SPLASH MOUNT FAUCET	1/2"	36"	1/2"	36"	12"							1	
30	PASTEURIZER	1/2"	36"	1/2"	36"	12"			1-1/2"				1	CONFIRM PLUMBING WITH OWNER
42	ESPRESSO CAPPUCCINO MACHINE	1/2"	42"			12"			1/2"				1	CONFIRM PLUMBING WITH OWNER
46	HOT / COLD WATER DISPENSER	1/2"	48"	1/2"	48"	12"							1	
47	ICE CUBER WITH BIN	1/2"	36"			12"			3/4"				1	



- LEGEND -- PLUMBING CONNECTIONS**
- HW-HOT WATER, OR CW-COLD WATER
  - GAS
  - WASTE, DIRECT-CONNECTED
  - ⊕ FLOOR SINK Advance Tabco FDR-1212
  - ⊕ FLOOR DRAIN Josam 30000-A3
  - ⊕ FUNNEL FLOOR DRAIN Josam 30000-E3
  - FIELD CONNECTIONS
  - CONNECTION POINT AT MACHINE

NOTE # P4 - ALL NATIONAL, STATE, AND LOCAL CODES SHALL APPLY

NOTE # P5 - ALL PLUMBING CONNECTIONS TO BE EXTENDED AND INTERCONNECTED TO EQUIPMENT AND ALL HARDWARE REQUIRED TO BE PROVIDED BY PLUMBING CONTRACTOR

NOTE # P6 - PLUMBING CONTRACTOR TO VERIFY THAT ALL EQUIPMENT IS INSTALLED WITH THE APPROPRIATE GAS PRESSURE AND REGULATORS

NOTE # P7 - ALL WASTE LINES AND CONDENSATE LINES TO BE EXTEND FROM EQUIPMENT TO FLOOR DRAINS BY PLUMBING CONTRACTOR.

## Equipment PLUMBING Service Requirements

All Dimensions to be verified on the job site. Actual locations for floor drains, and any ventilating equipment to be determined by Engineer. Mechanical, Plumbing & Electrical to be checked and verified by Customers MEP Engineer. Remote Condensing Units to be located by Architect. Exhaust & Supply fans to be located by Architect.



**HOOD INFORMATION - Job#2512767**

HOOD NO.	TAG	MODEL	LENGTH	MAX. COOKING TEMP.	TOTAL EXHA. CFM	EXHAUST PLENUM (SIZES)	TOTAL SUPPLY CFM	HOOD CONSTRUCTION	END TO END	HOOD CONFIG.
1		5424 ND-2-PSP-F	9' 0.00"	450 Deg	1710	10" 16"	1710 -0.384"	1539	430 SS	Where Exposed, ALDNE, ALDNE

**HOOD INFORMATION**

HOOD NO.	TAG	FILTER(S)				LIGHT(S)				UTILITY CABINET(S)				FIRE SYSTEM	HOOD HANGING WT		
		TYPE	QTY	HEIGHT	LENGTH	EFFICIENCY @ 9 MICRONS	QTY	TYPE	WIRE GUARD	LOCATION	TYPE	SIZE	ELECTRICAL MODEL #			QUANTITY	SWITCHES
1		SS Baffle with Handles	6	16"	16"	30%	3	L55 Series E26	ND	Right	Ansul R102	3.0	SC-21110FP	1 Light	1 Fan	NO	624 LBS

**HOOD OPTIONS**

HOOD NO.	TAG	FIELD WRAPPER	17.00" High	OPTION
1		BACKSLASH	80.00" High X 121.00" Long	430 SS Vertical
		LEFT SIDESPLASH	80.00" High X 54.00" Long	430 SS Vertical
		LEFT END STANDOFF	FINISHED 1" Wide	54" Long Insulated

**PERFORATED SUPPLY PLENUM(S)**

HOOD NO.	TAG	PDS.	LENGTH	WIDTH	HEIGHT	TYPE	WIDTH	LENG.	DIA.	CFM	S.P.
1		Front	121"	14"	6"	MJA	12"	28"		768	0.190"
						MJA	12"	28"		768	0.190"

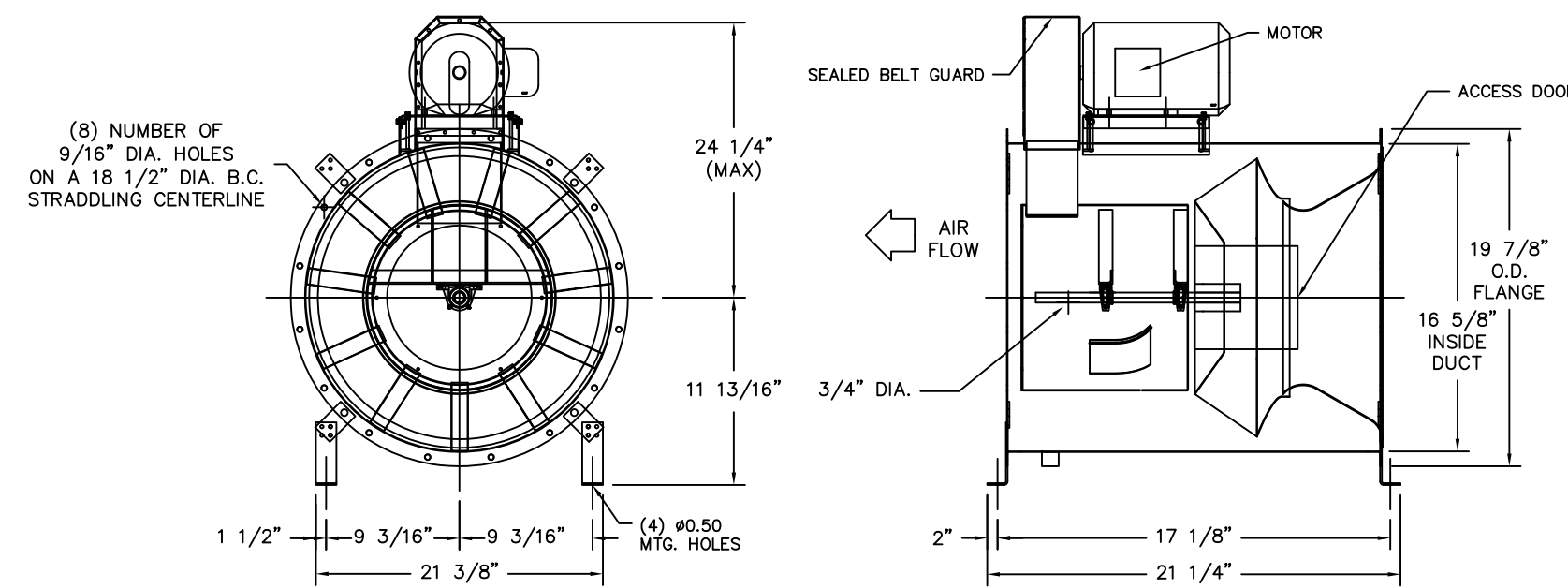
**EXHAUST FAN INFORMATION - Job#2512767**

FAN UNIT NO.	TAG	FAN UNIT MODEL #	CFM	ESP.	RPM	HP.	B.H.P.	Ø	VOLT	FLA	WEIGHT (LBS.)	SDNES
1		RMF1122CA	1710	1.650	2038	1.500	0.8220	1	208	10.2	182	19.5

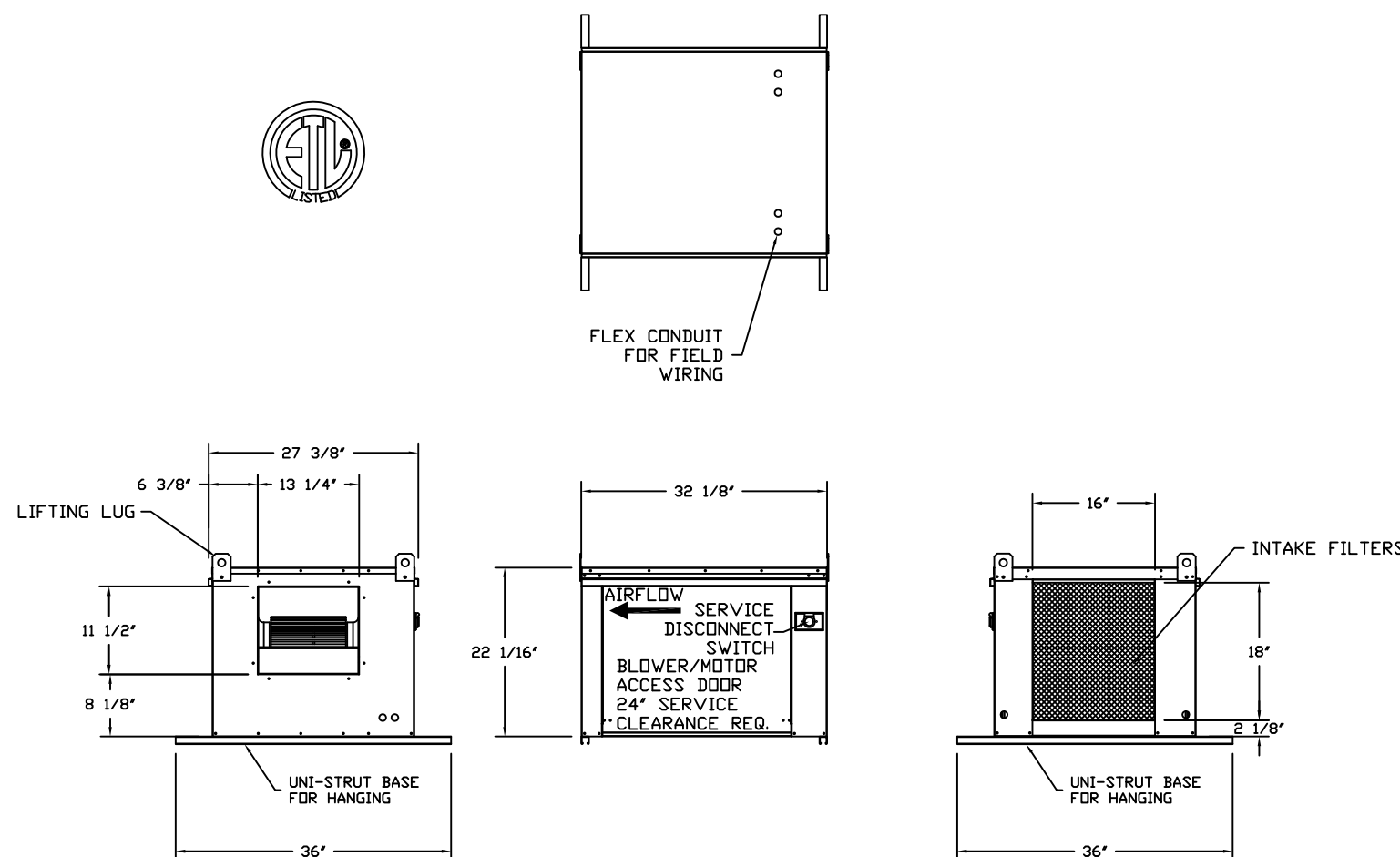
**MJA FAN INFORMATION - Job#2512767**

FAN UNIT NO.	TAG	FAN UNIT MODEL #	BLOWER	HOUSING	CFM	ESP.	RPM	HP.	B.H.P.	Ø	VOLT	FLA	WEIGHT (LBS.)	SDNES
2		INLINE-G10	G10	INLINE.IL	1539	0.750	953	0.750	0.5010	1	208	6.0	192	10.2

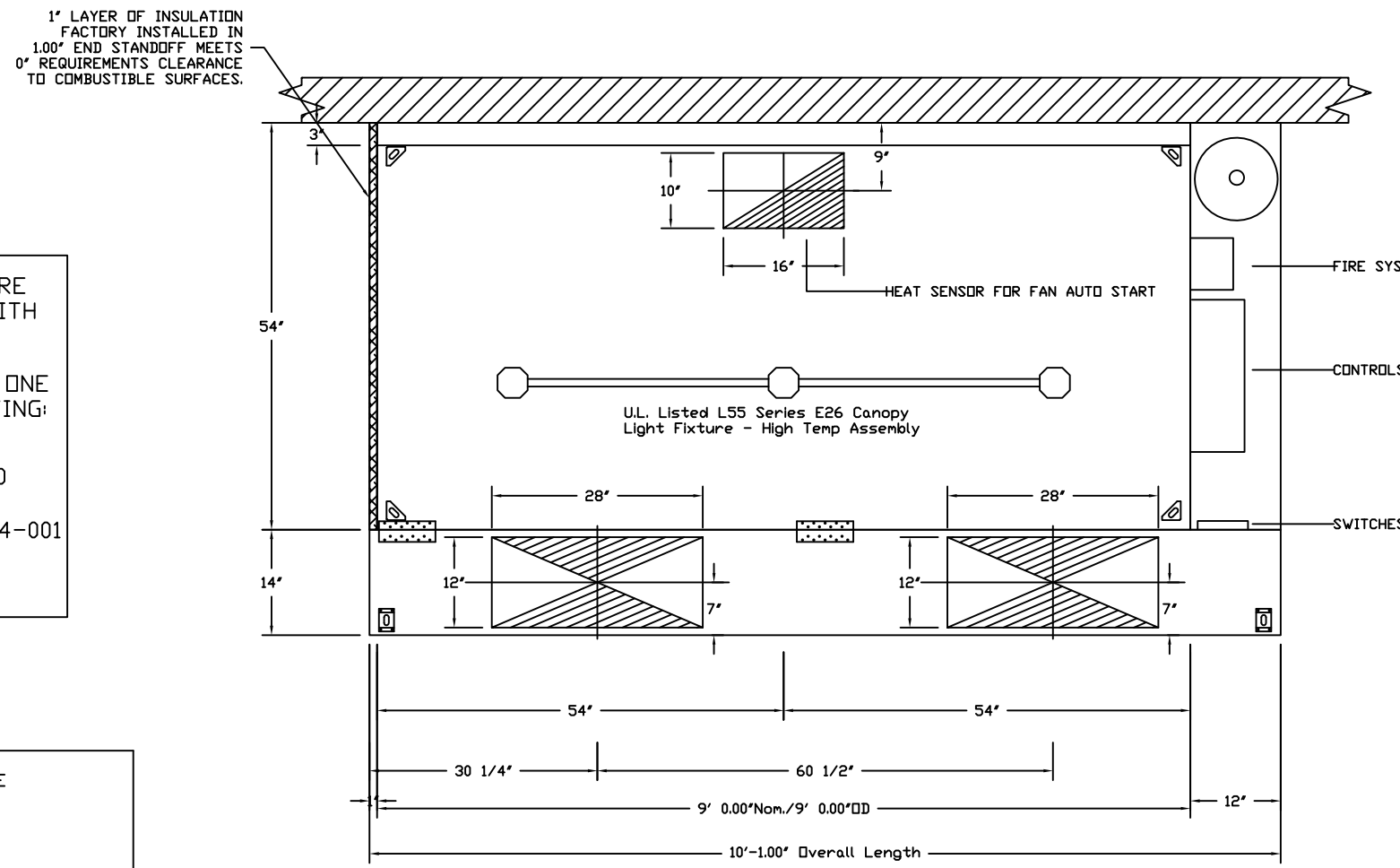
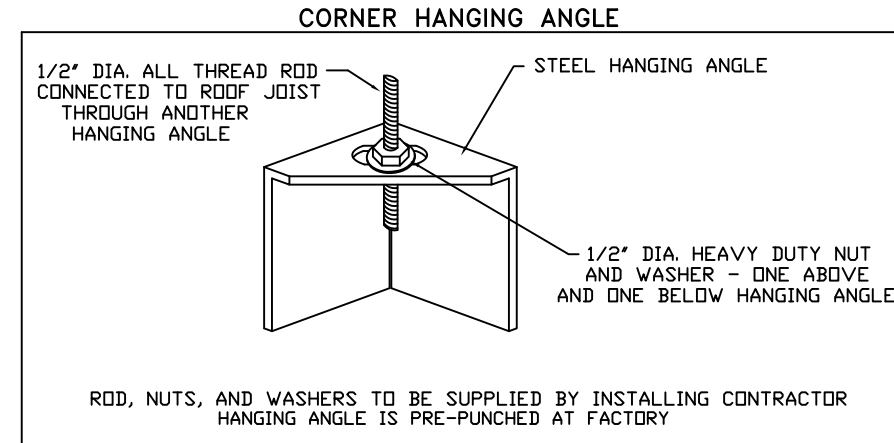
FAN #1 RMF1122CA - EXHAUST FAN



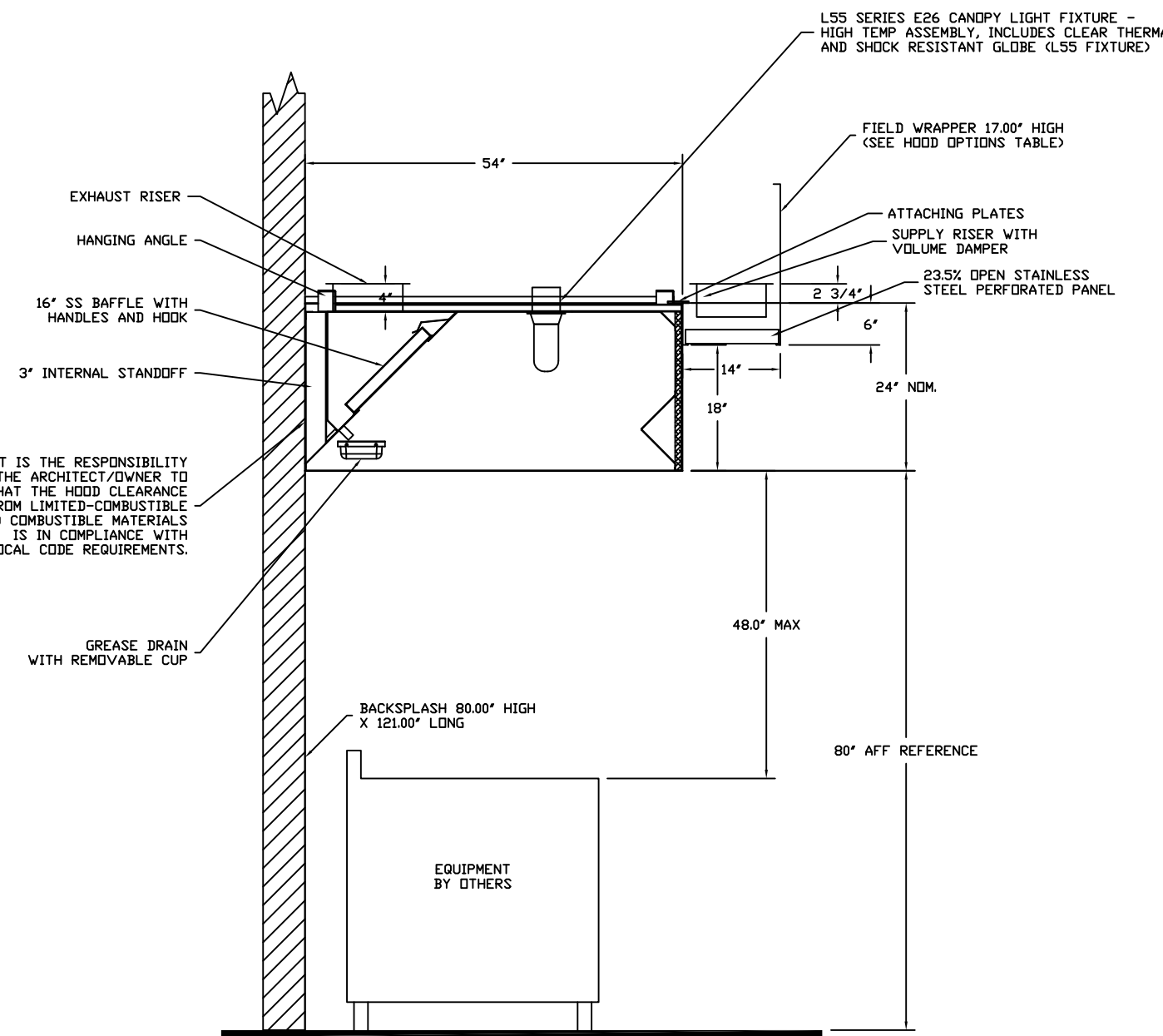
FAN #2 INLINE-G10 - SUPPLY FAN  
 1. LOW PROFILE INLINE SUPPLY UNIT w/ 10" BLOWER IN SIZE #1 HOUSING. INSULATED HOUSING.  
 2. SIDE DISCHARGE - AIR FLOW RIGHT -> LEFT  
 3. INDOOR HANGING CRADLE FOR THE SIZE 1 UNTEMPERED INLINE UNIT. 2 HSALES HANGING ISOLATORS PER UN-STRUT INCLUDED.



CAPTIVE-AIRE HOODS ARE BUILT IN COMPLIANCE WITH UL 710 AND NFPA 96 AND ARE RECOGNIZED BY ONE OR MORE OF THE FOLLOWING:  
 ETL SANITATION LISTED  
 ETL LISTED FILE# 3054804-001



PLAN VIEW - Hood #1  
 9' 0.00" LONG 5424ND-2-PSP-F



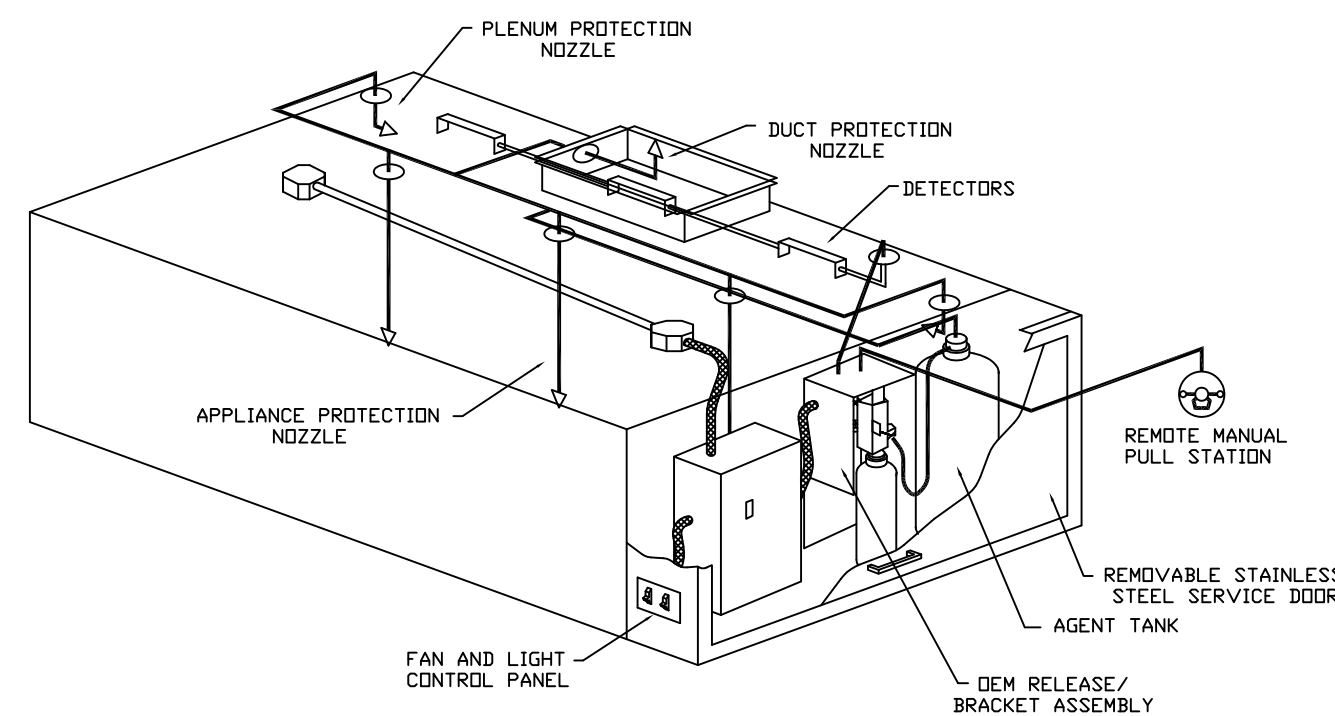
SECTION VIEW - MODEL 5424ND-2-PSP-F  
 HOOD - #1

**FEATURES:**

- LEVEL II CONSTRUCTION - UL 710
  - HIGH PRESSURE
  - STRAIGHT THROUGH AIR FLOW
  - WHEELS BACKWARD INCLINED, NON-OVERLOADING
  - WHEELS STATICALLY AND DYNAMICALLY BALANCED
  - HEAVY GAUGE STEEL CONSTRUCTION
  - MULTIPLE ACCESS DOORS FOR WHEEL CLEANING
  - BELT TUBES AND GUARDS
  - EXTENDED LUBE LINES
  - 2" GREASE DRAIN
- OPTIONS:**
- CEILING SPRING ISOLATORS WITH MOUNTING BRACKETS - RMF / BMF 122
  - COMPANION FLANGE INLET - RMF / BMF 122
  - COMPANION FLANGE OUTLET - RMF / BMF 122
  - DISCONNECT SWITCH - USED ON ALL RMF, BMF & DMF FANS - DISCONNECT IS NORMAL FOR INDOOR USE ONLY - DISCONNECT SWITCH SHIPS LOOSE - SINGLE & THREE PHASE OPTION

**Fire System Information - Job#2512767**

FIRE SYSTEM NO.	Tag	TYPE	SIZE	FLOW POINTS	INSTALLATION	
					SYSTEM	LOCATION ON HOOD
1		Ansul R102	3.0	0	Fire Cabinet Right	Right



TYPICAL ANSUL R-102 SYSTEM LAYOUT

**REVISIONS**

NO.	DESCRIPTION	DATE

**CAPTIVE-AIRE**  
 MIAMI OFFICE  
 WWW.CAPTIVEAIRE.COM  
 12550 W.W. Road, Coral Springs, FL 33076 PHONE: (954) 571-7827 FAX: (954) 227-8074 EMAIL: info@captivaire.com

URBAN MICRODAIRY  
 PLANTATION, FL.

DATE: 12/14/2015  
 DWG.#: 2512767  
 DRAWN BY:  
 SCALE: 3/4" = 1'-0"  
 MASTER DRAWING

SHEET NO.  
 1

**Urban Micordairy**  
**Kitchen & Yogurt Room**  
 Plantation, Florida

**Uni-Source Supply**  
 International Inc.  
 2055 W 73rd Street, Miami, FL 33016  
 Ph:(305)826-8696 Fax:(305)826-9131

No.	Revision/Issue	Date
4	Update after conference call with Owner and Arch.	12-10-15
5	Updated background	12-12-15
6	Completed Equipment Service Requirement Drawings	12-15-15
7	Added compressor, ice machine, water dispenser	12-16-15

Date  
**Dec 16, 2015**  
 Drawn By  
**Dayne Gauntlett**  
 Scale  
**NTS**

Sheet  
**YK-6**

ELECTRICAL PACKAGES - Job#2512767

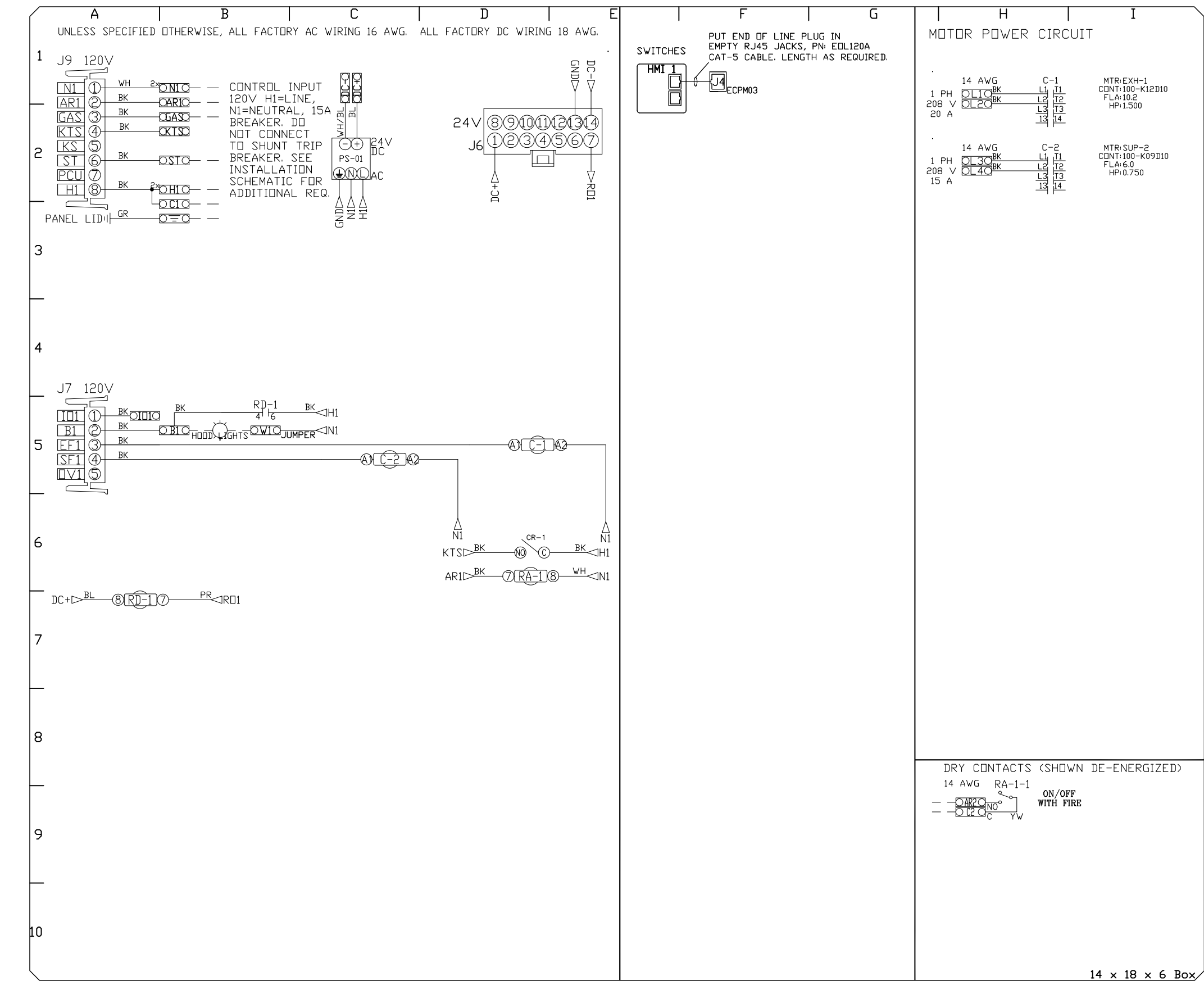
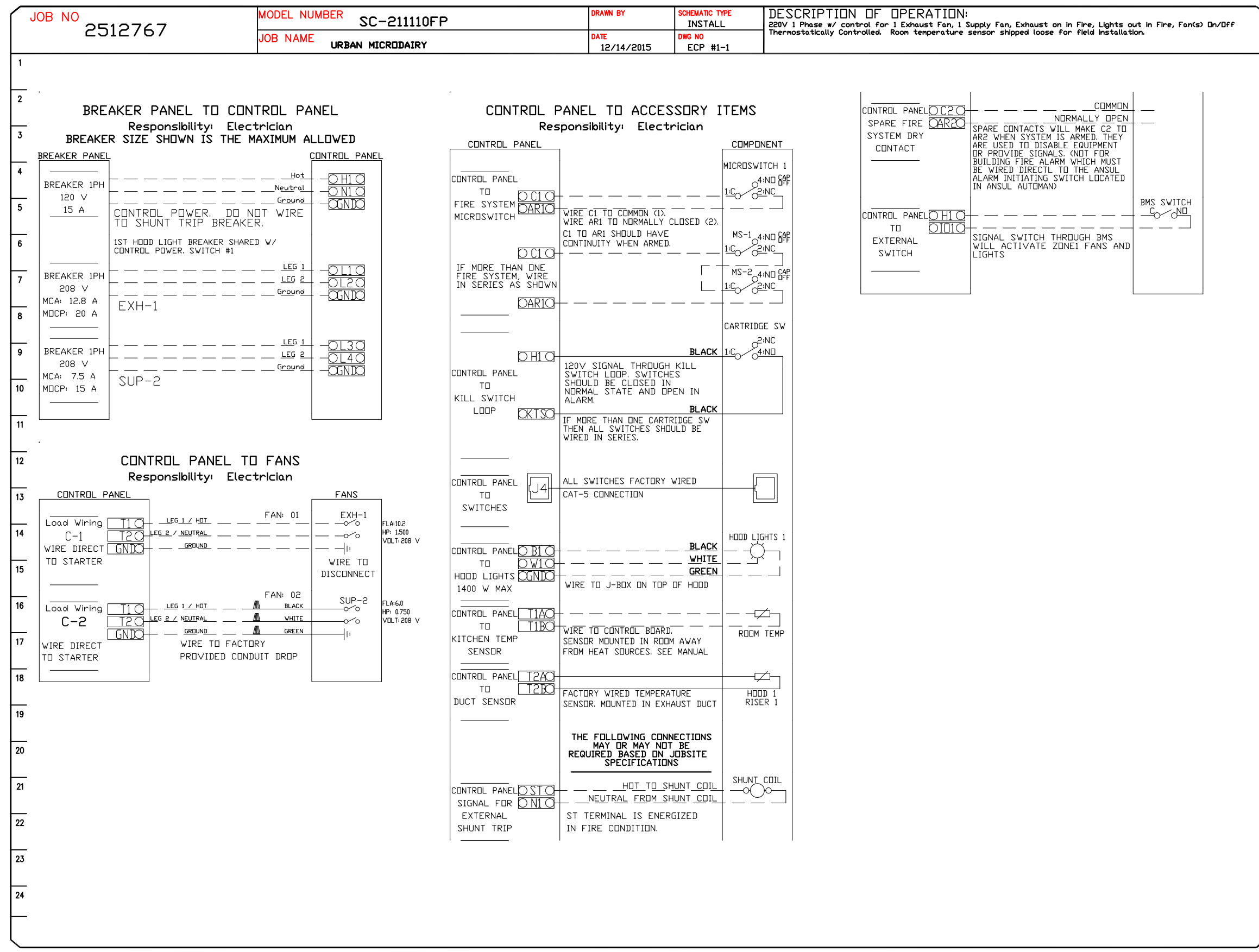
NO.	TAG	PACKAGE #	LOCATION	SWITCHES		OPTION	FANS CONTROLLED				
				LOCATION	QUANTITY		TYPE	#	HP.	VOLT	FLA
1		SC-21110FP	Utility Cabinet Right	Utility Cabinet Right	1 Light	Smart Controls Thermostatic Control	Exhaust	1	1.500	208	10.2
				Hood # 1	1 Fan		Supply	1	0.750	208	6.0

REVISIONS	
NO.	DESCRIPTION



URBAN MICRODAIRY  
PLANTATION, FL,

DATE: 12/14/2015  
DWG.#: 2512767  
DRAWN BY:  
SCALE: 3/4" = 1'-0"  
MASTER DRAWING  
SHEET NO. 2



**FACTORY WIRING SCHEMATIC CIRCUIT BOARDS**  
ECP#03 Rev. 1.05  
HMI

**COMPONENT LIST**

**LEGEND**

**URBAN MICRODAIRY**  
SC-21110FP  
200V 1 Phase w/ control for 1 Exhaust Fan, 1 Supply Fan, Exhaust on in Fire, Lights out in Fire, Fans On/Off Thermally/Manually Controlled. Room temperature sensor shipped loose for field installation.

**Urban Micordairy**  
**Kitchen & Yogurt Room**  
Plantation, Florida

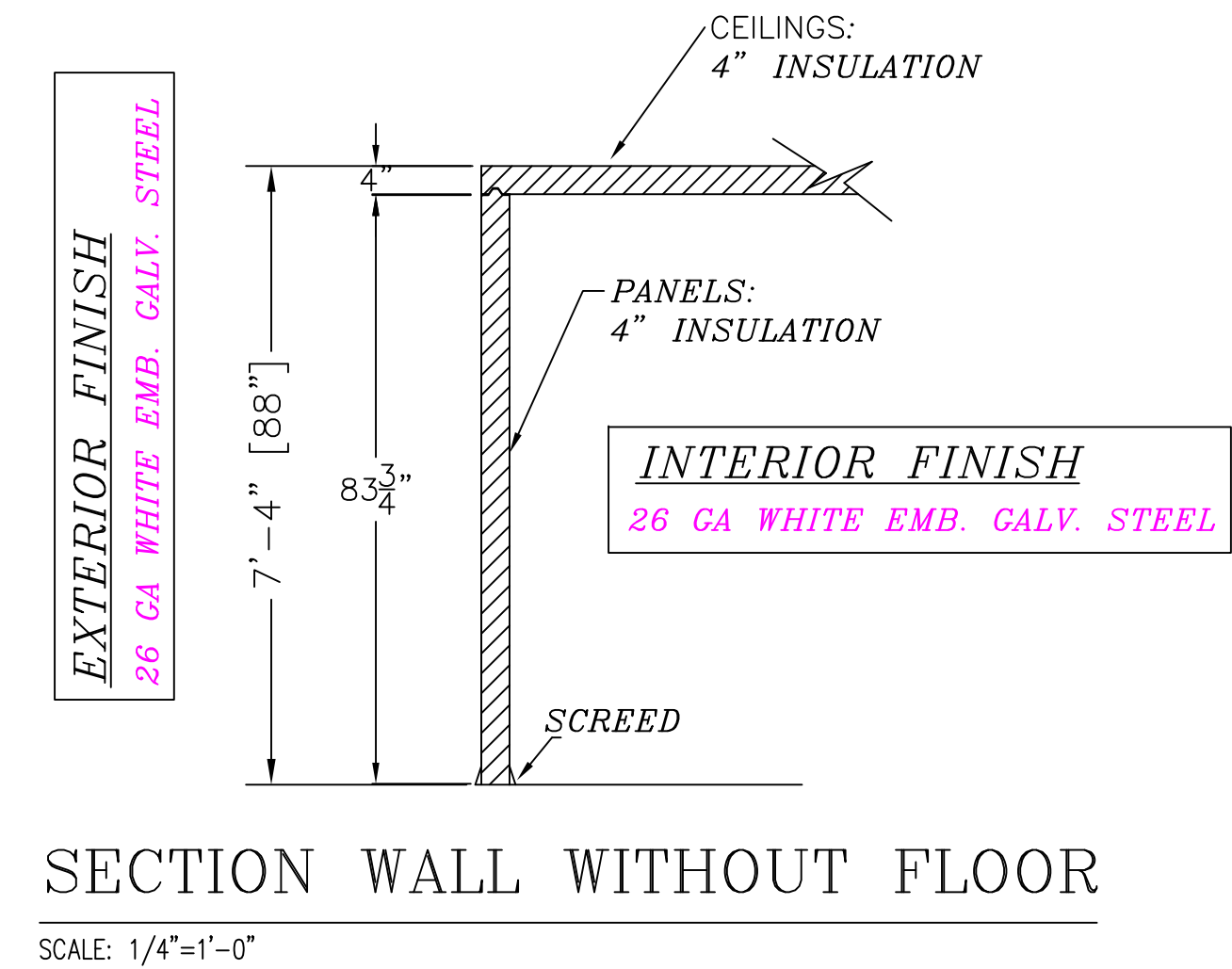
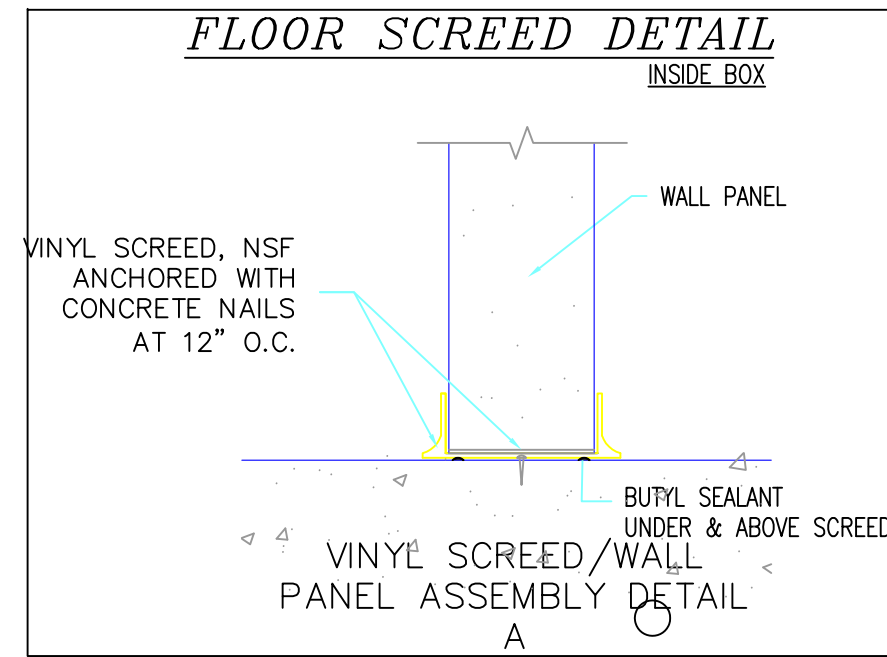
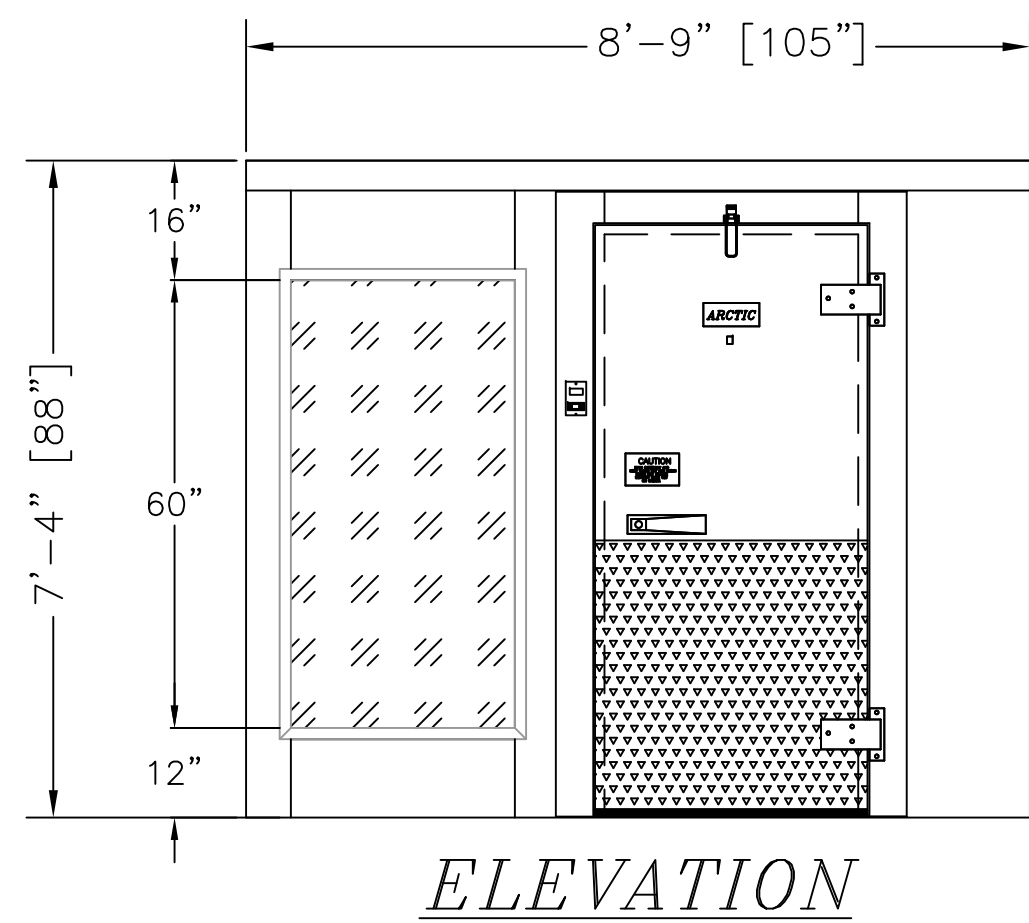
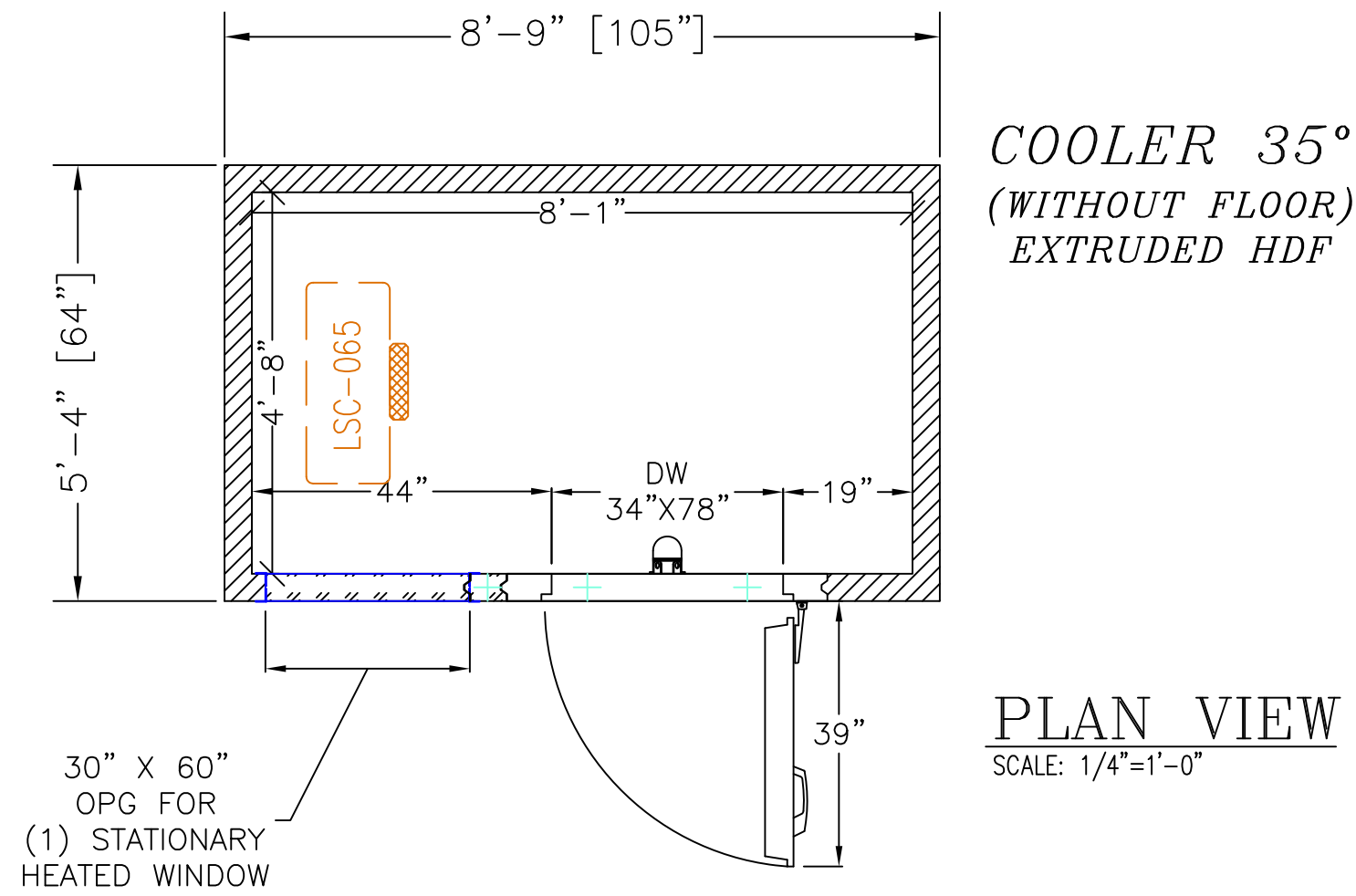
**Uni-Source Supply**  
International Inc.  
2055 W 73rd Street, Miami, FL 33016  
Ph: (305)826-8696 Fax: (305)826-9131

4	Update after conference call with Owner and Arch.	12-10-15
5	Updated background	12-12-15
6	Completed Equipment Service Requirement Drawings	12-15-15
7	Added compressor, ice machine, water dispenser	12-16-15
No.	Revision/Issue	Date

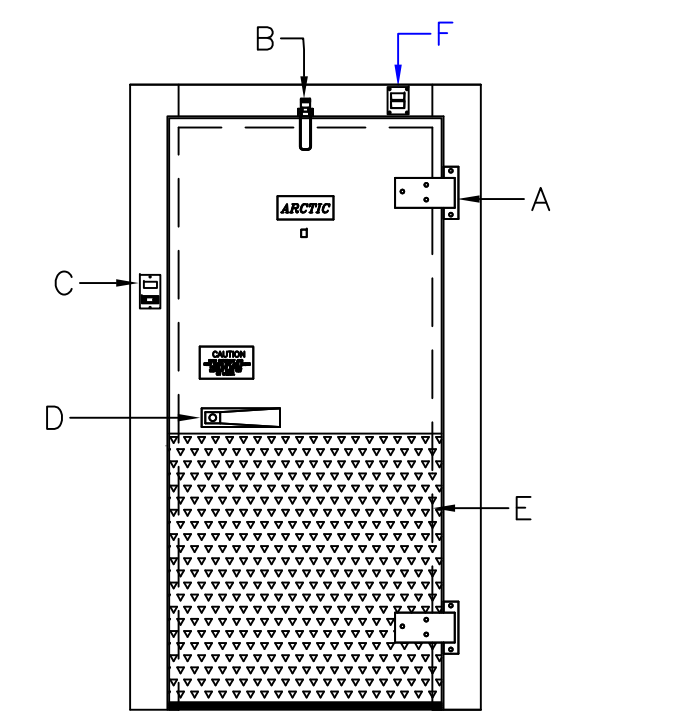
Date  
**Dec 16, 2015**  
Drawn By  
**Dayne Gauntlett**  
Scale  
**NTS**

Sheet  
**YK-7**





**ACCESSORIES**  
(1) AIR CURTAIN, PLASTIC STRIP (UP TO 41"X80" DOOR)  
(30') 4"SCREED-NSF



A-HEAVY DUTY CAM-LIFT HINGES  
B-HYDRAULIC DOOR CLOSER  
C-DIGITAL THERM/SWITCH 24DT-L4F1-B  
D-KEYED LATCH W/INT. SAFETY RELEASE  
E-36" DIAMOND TREAD PLATE INT. & EXT.  
F-PRV (FREEZER ONLY)

**INTERIOR FINISH**  
26 GA MILL EMB. ACRYLUME

**EXTERIOR FINISH**  
26 GA MILL EMB. ACRYLUME

**Arctic®**  
WALK-IN COOLERS AND FREEZERS  
BY ARCTIC INDUSTRIES INC.  
9731 N.W. 114th WAY MIAMI FLORIDA 33178  
PHONE: (305) 883-5581

GENERAL NOTE  
NOTICE TO GENERAL CONTRACTOR AND SUB-CONTRACTOR. FOR QUARRY TILE OR CONCRETE WEARING FLOORS, THE METAL FACINGS MAY BE SUSCEPTIBLE TO STAINING DUE TO EXCESSIVE MOISTURE CREATED BY HYDRATION OF CONCRETE-TYPE MATERIALS. IT IS ESSENTIAL THAT EACH ROOM BE PROPERLY VENTILATED. SPECIAL PRECAUTIONS MUST BE TAKEN WHEN USING MURIATIC ACID DUE TO EFFECTS OF ACID FUMES ON ALUMINUM AND STAINLESS STEEL. IN ADDITION, METAL SURFACES MUST BE PROTECTED FROM LIME AND OTHER CHEMICALS FOUND IN CONCRETE BY-PRODUCTS. PETROLEUM BASED PROTECTION MUST BE APPLIED BETWEEN CONCRETE AND THE METAL SURFACES. (LIQUID TAR, BRUSHED OR SPRAYED ABOVE THE CONCRETE CONTACT LINE, HEAVY EPOXY PAINT, 8 MIL POLYETHYLENE H.D. BLACK DOUBLE LAYERED, 30 LB. ASPHALT IMPREGNATED ROOFING PAPER).

**CONSTRUCTION**  
N.S.F. CONSTRUCTION

Project Name:  
UNI-SOURCE SUPPLY/EXCELL  
URBAN MICRODAIRY

P.O.#:

APPLICATION:  
COOLER N/F NSF/UL Approved

NOTES:  
FLOOR MUST BE LEVEL SMOOTH AND CLEAR OF OBSTRUCTIONS TO ACCEPT WALK-IN PANELS. ALSO, THERE MUST BE A MINIMUM OF 2" CLEARANCE AROUND ALL SIDES OF THE WALK-IN FOR PROPER CIRCULATION.  
VERIFY ALL DIMENSIONS AND SPECIFICATIONS BEFORE APPROVING DRAWINGS

Revisions:

#	Date & Description
△	Date & by Description
△	
△	

SIGNED APPROVED PRINT MUST BE REC'D. B/4 FAB.

APPROVED AS DRAWN  
 APPROVED AS NOTED  
 NOT APPROVED RESUBMIT

SIGNED \_\_\_\_\_  
DATE: \_\_\_\_\_

Drawn By: R.PUPO  
Checked By: JANET  
Scale: 1/4"= 1'-0"  
CREATED: 12/15/2015

DRW No:  
URBMIC 001

REFRIGERATION DATA SHEET													
ITEM	QTY	HP	MANUFACTURE	MODEL	REFRIG	VOLTS	MCA	CONNECTION		DIMENSIONS(IN)			COVER
								INLET	SUCTION	LENGTH	DEEP	HEIGHT	
<b>HERMETIC,REMOTE PRE-ASSEMBLED,AIR-COOLED,35°,OUTDOOR</b>													
1	1	3/4	CLIMATE CONTROL	CHT008X6BFM	R-404A	208/230/60/1	15	3/8	1/2	28-1/4	23-3/4	17-1/2	INCLUDED
2	1		CLIMATE CONTROL	LSC065AEWMC6K		115/1/60 EC	0.9	1/2 OD	7/8 ID	29 1/2	14 7/8	15	
<b>ACCESSORIES</b>			(1)COMPRESSOR STAND U.L 24X36LONG W/18 LEGS										
<b>NOTE: A LICENSED REFRIGERATION INSTALLER MUST DECIDE PLACEMENT OF EVAPORATOR(S) BASE ON SITE CONDITIONS</b>													
<b>EVAPORATOR PLACEMENT ON DRAWING SHOULD BE USED FOR REFERENCE ONLY</b>													

**Urban Micordairy**  
**Kitchen & Yogurt Room**  
Plantation, Florida

**Uni-Source Supply**  
International Inc.  
2055 W 73rd Street, Miami, FL 33016  
Ph:(305)826-8696 Fax:(305)826-9131

No.	Revision/Issue	Date
4	Update after conference call with Owner and Arch.	12-10-15
5	Updated background	12-12-15
6	Completed Equipment Service Requirement Drawings	12-15-15
7	Added compressor, ice machine, water dispenser	12-16-15

Date  
**Dec 16, 2015**  
Drawn By  
**Dayne Gauntlett**  
Scale  
**NTS**

Sheet  
**YK-8**